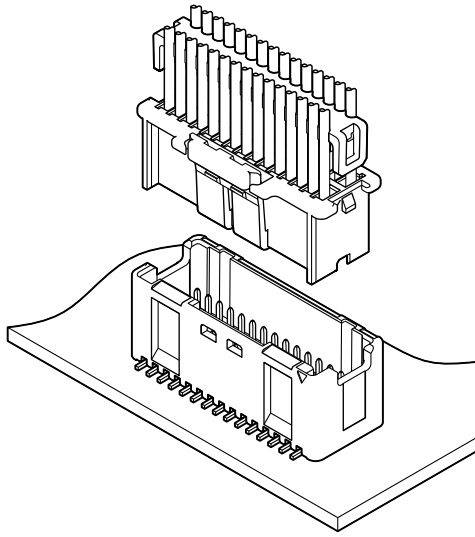


ZND CONNECTOR

1.5 mm pitch/Disconnectable crimp style



This is the potting treatment compatible type 1.5 mm pitch dual-row SMT mountable crimping connector with secure locking mechanism, corresponding to the high-density board design. Excellent mating feeling is prepared, and it provides the certain mating operation.

- Header suitable for potting process
- Secure lock mechanism
- Retainer mountable type

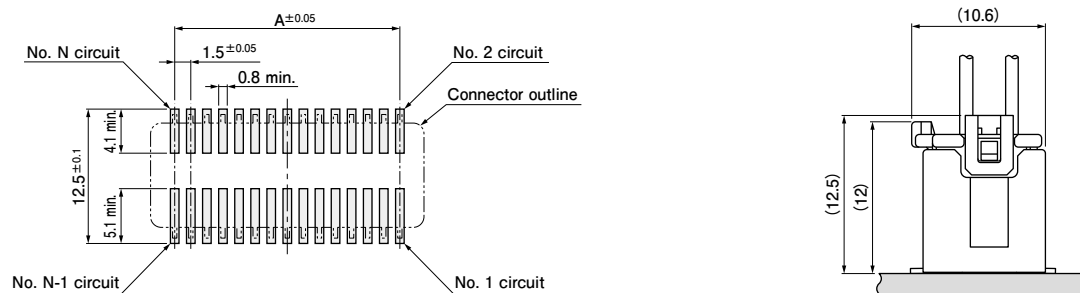
Standards

Ⓜ: Recognized E 60389

Specifications

- Current rating: 2 A AC/DC (AWG #24)
- Voltage rating: 100 V AC/DC
- Temperature range: -25°C to +85°C
(including temperature rise in applying electrical current)
- Contact resistance:
 - Initial value/ 10 mΩ max.
 - After environmental tests/ 20 mΩ max.
- Insulation resistance: 500 MΩ min.
- Withstanding voltage: 500 VAC/minute
- Applicable wire: Conductor size/ AWG #28 to #24
Insulation O.D./ 0.76 to 1.3 mm
- * In using the products, refer to "Handling Precaution for Terminals and Connectors" described on our website (Technical documents of Product information page).
- * RoHS2 compliance
- * Dimensional unit: mm
- * Contact JST for details.

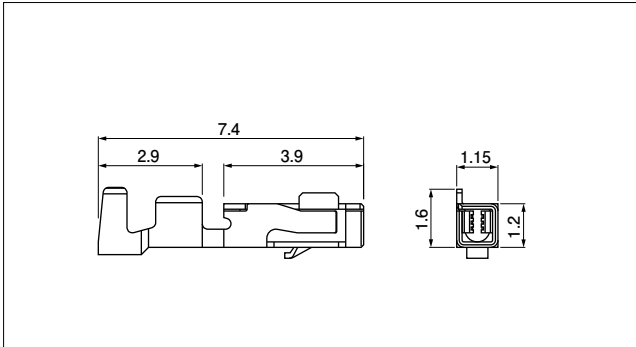
PC board layout and Assembly layout



- Note: 1. The above figure is the figure viewed from the connector mounting side.
 2. Tolerances of pattern pitch on the PC board shall be ± 0.05 mm and not be accumulative.
 Please contact JST for details as the dimensions shown in the above figure are reference values.

ZND CONNECTOR

Contact



Model No.	Applicable wire range		Q'ty/ reel	
	Conductor size	AWG (mm ²)		Insulation O.D. (mm)
SZND-002T-P0.5	#28 to #24	(0.08 to 0.21)	0.76 to 1.3 ^(Note)	23,000

Material and Finish

Copper alloy, tin-plated

RoHS2 compliance

Note: The insulation O.D. is ϕ 1.0 mm to ϕ 1.3 mm upon using a retainer.

Crimping machine

Contact	Crimping machine	Applicator	Crimp applicator with dies
SZND-002T-P0.5	AP-K2N	MKS-L	APLMK SZND/M002-05

Note: Contact JST for fully automatic crimping applicator.

Socket housing

<4 circuits>

<6 circuits>

<8 to 16 circuits>

<18 to 28 circuits>

<30 to 36 circuits>

No. of circuits	Model No.	Dimensions (mm)		Q'ty/bag
		A	B	
4	ZNDP-04V-A-S	—	6.0	1,000
6	ZNDP-06V-A-S	3.0	7.5	1,000
8	ZNDP-08V-A-S	4.5	9.0	1,000
10	ZNDP-10V-A-S	6.0	10.5	1,000
12	ZNDP-12V-A-S	7.5	12.0	1,000
14	ZNDP-14V-A-S	9.0	13.5	1,000
16	ZNDP-16V-A-S	10.5	15.0	1,000
18	ZNDP-18V-A-S	12.0	16.5	1,000
20	ZNDP-20V-A-S	13.5	18.0	1,000
22	ZNDP-22V-A-S	15.0	19.5	1,000
24	ZNDP-24V-A-S	16.5	21.0	1,000
26	ZNDP-26V-A-S	18.0	22.5	1,000
28	ZNDP-28V-A-S	19.5	24.0	1,000
30	ZNDP-30V-A-S	21.0	25.5	1,000
32	ZNDP-32V-A-S	22.5	27.0	1,000
34	ZNDP-34V-A-S	24.0	28.5	1,000
36	ZNDP-36V-A-S	25.5	30.0	1,000

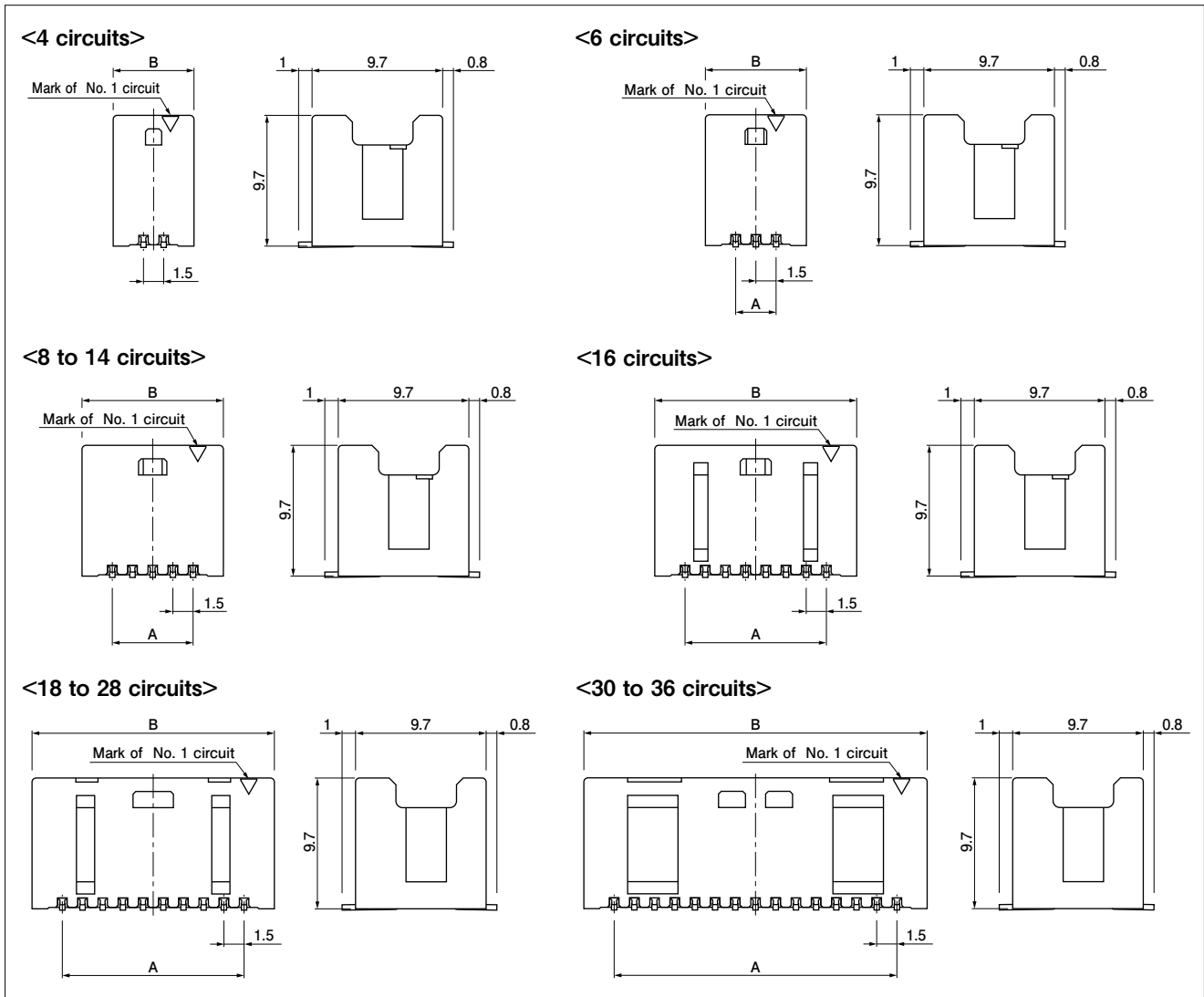
Material and Finish

PA 66 (Glass-filled), UL94V-0, natural

RoHS2 compliance

ZND CONNECTOR

Header



No. of circuits	Model No.	Dimensions (mm)		Q'ty/reel
		A	B	
4	BM04B-ZNDSS-A-TF	—	6.0	520
6	BM06B-ZNDSS-A-TF	3.0	7.5	520
8	BM08B-ZNDSS-A-TF	4.5	9.0	520
10	BM10B-ZNDSS-A-TF	6.0	10.5	520
12	BM12B-ZNDSS-A-TF	7.5	12.0	520
14	BM14B-ZNDSS-A-TF	9.0	13.5	520
16	BM16B-ZNDSS-A-TF	10.5	15.0	520
18	BM18B-ZNDSS-A-TF	12.0	16.5	520
20	BM20B-ZNDSS-A-TF	13.5	18.0	520
22	BM22B-ZNDSS-A-TF	15.0	19.5	520
24	BM24B-ZNDSS-A-TF	16.5	21.0	520
26	BM26B-ZNDSS-A-TF	18.0	22.5	520
28	BM28B-ZNDSS-A-TF	19.5	24.0	520
30	BM30B-ZNDSS-A-TF	21.0	25.5	520
32	BM32B-ZNDSS-A-TF	22.5	27.0	520
34	BM34B-ZNDSS-A-TF	24.0	28.5	520
36	BM36B-ZNDSS-A-TF	25.5	30.0	520

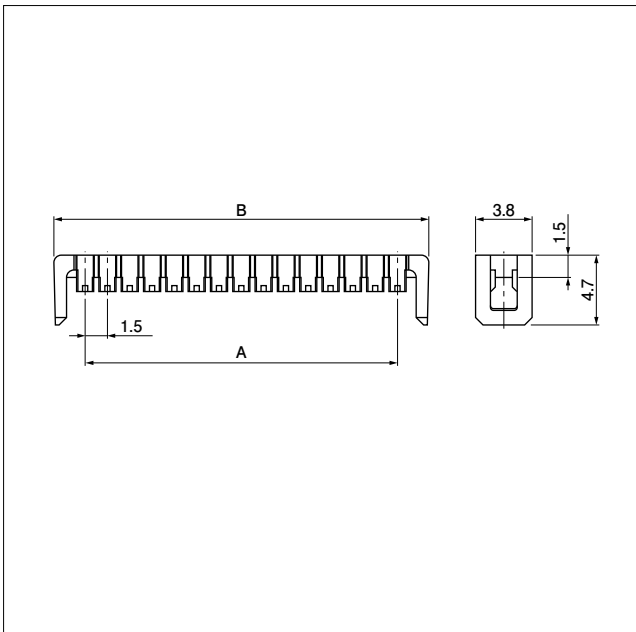
Material and Finish

Press post: Copper alloy, copper-undercoated, tin-plated
Wafer: Polyamide, UL94V-0, natural

RoHS2 compliance

ZND CONNECTOR

Retainer



No. of circuits	Model No.	Dimensions (mm)		Q'ty/bag
		A	B	
4	ZNDS-04V-K	—	5.7	2,000
6	ZNDS-06V-K	3.0	7.2	2,000
8	ZNDS-08V-K	4.5	8.7	2,000
10	ZNDS-10V-K	6.0	10.2	2,000
12	ZNDS-12V-K	7.5	11.7	2,000
14	ZNDS-14V-K	9.0	13.2	2,000
16	ZNDS-16V-K	10.5	14.7	2,000
18	ZNDS-18V-K	12.0	16.2	2,000
20	ZNDS-20V-K	13.5	17.7	2,000
22	ZNDS-22V-K	15.0	19.2	2,000
24	ZNDS-24V-K	16.5	20.7	2,000
26	ZNDS-26V-K	18.0	22.2	2,000
28	ZNDS-28V-K	19.5	23.7	2,000
30	ZNDS-30V-K	21.0	25.2	2,000
32	ZNDS-32V-K	22.5	26.7	2,000
34	ZNDS-34V-K	24.0	28.2	2,000
36	ZNDS-36V-K	25.5	29.7	2,000

Material and Finish

PA 66 (Glass-filled), UL94V-0, black

RoHS2 compliance

Model number allocation

Contact

	S	ZND - 002	T - P	0.5
Form: S...Strip form				
Series name				
Applicable wire range: 002...AWG #28 to #24				
Surface finish: T...Tin-plated				
Material: P...Copper alloy				
Terminal size				

Socket housing

	ZND	P - 04	V - A - S
Series name			
Part name: Plug			
No. of circuits: Even numbers from 4 to 36			
Flammability: V...UL94V-0			
Key pattern: A...Key pattern A			
Color: S...Natural			

Header

	BM	04	B - ZND	S	S - A - TF
Shape of assembled product: BM...SMT Top entry type					
No. of circuits: Even numbers from 4 to 36					
Part name: Header					
Series name					
Color: S...Natural					
Indication of clinch: S...Straight pin					
Key pattern: A...Key pattern A					
Packaging style: TF...Embossed-taping					

Retainer

	ZND	S - 04	V - K
Series name			
Part name: Retainer			
No. of circuits: Even numbers from 4 to 36			
Flammability: V...UL94V-0			
Color: K...Black			