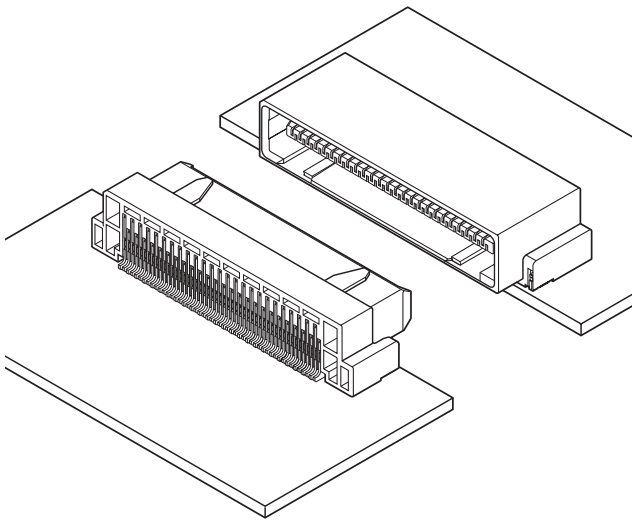


JXV CONNECTOR

1.27mm pitch/Board-to-board connectors



This connector is board-to-board connector that the flat horizontal connection between boards enables in electronic equipment. For SMT type of high-density 1.27mm pitch, the rating current of industry leading 1.0A has been enabled.

This connector is firm, good mating feeling and most suitable for connecting function board to the same horizontal direction.

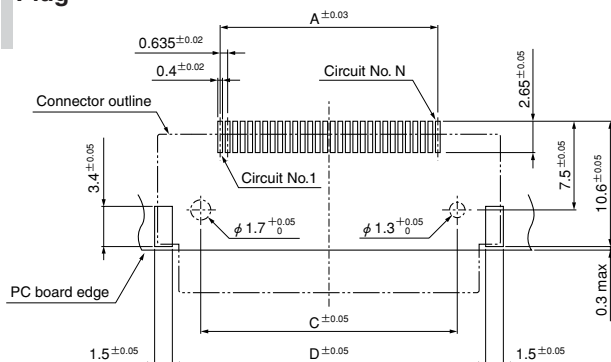
- Flat horizontal connection between boards with step "0"
- The rating current of industry leading 1.0A with SMT type of high-density 1.27mm pitch is enabled.
- The solder tail is designed as in-line concept, considering about PC board pattern and bridge repair.
- Double 4 faces shrouded toughness housing
- Large insertion guide to support easily and secure mating operation
- Outstanding mating feeling
- Gold-plated contact of long mating stroke provides stable contact reliability

Specifications

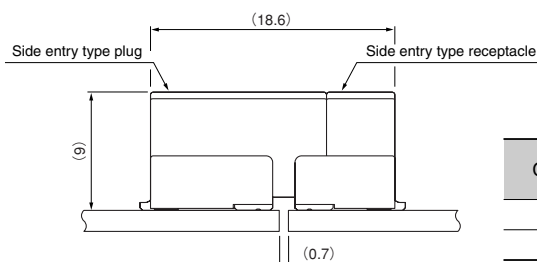
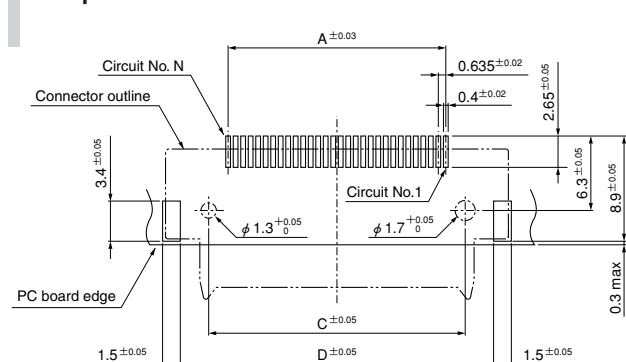
- Current rating: 1.0 A AC, DC
- Voltage rating: 50 V AC, DC
- Temperature range: -25°C to +85°C
(including temperature rise in applying electrical current)
- Contact resistance: Initial value / 50 mΩ max.
After environmental tests/ 100 mΩ max.
- Insulation resistance: 50 MΩ min.
- Withstanding voltage: 100 VAC/minute
- PC board connecting method: Horizontal (step "0")

- * Refer to "General Instruction and Notice when using Terminals and Connectors" at the end of this catalog.
- * Contact JST for details.
- * Compliant with RoHS.

Plug



Receptacle



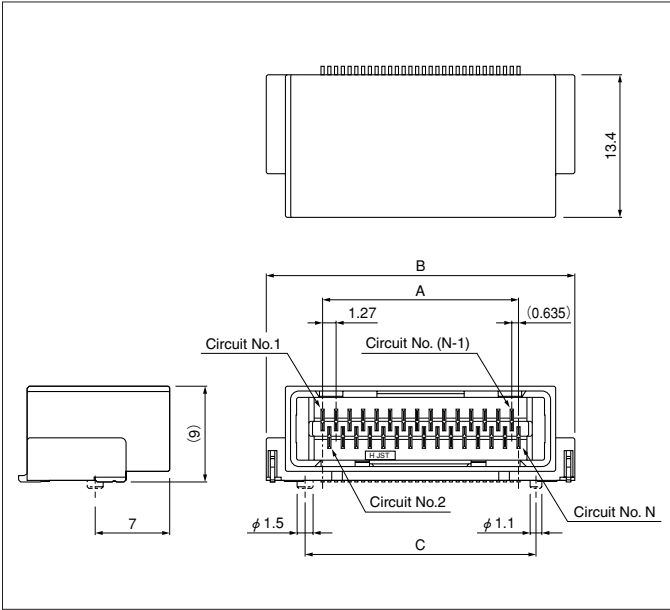
Circuits	Dimensions (mm)		
	A	C	D
30	18.415	21.7	26.5
50	31.115	34.4	39.2

Note: 1. The above figure is the figure viewed from the connector mounting side.

2. Tolerances are non-cumulative: ±0.03mm for all centers. The dimensions above should serve as a guideline. Contact JST for details.

JXV CONNECTOR

Plug



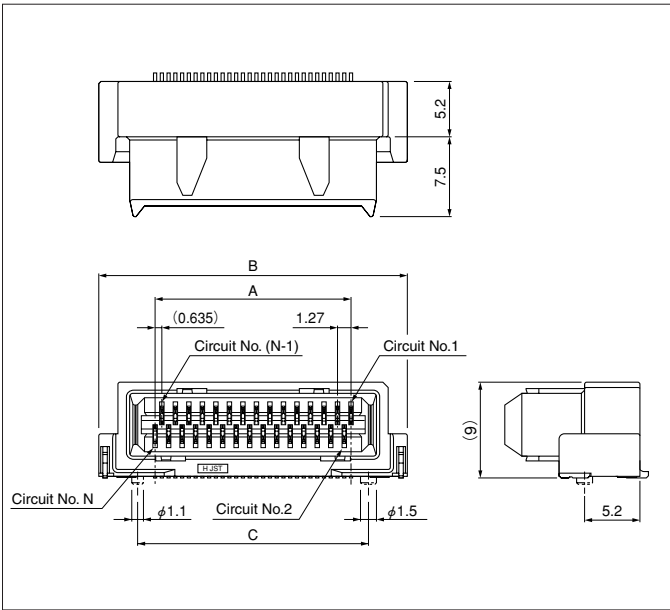
Circuits	Model No.		Dimensions (mm)			Q'ty / box
	With bosses	Without bosses	A	B	C	
30	30PS-JXVK-G-B	30PS-JXVK-G	18.415	29.0	21.7	833
50	50PS-JXVK-G-B	—	31.115	41.7	34.4	595

Material and Finish

Contact: Copper alloy, nickel-undercoated, gold-plated
 Housing: Heat resisting resin, UL94V-0, black
 Reinforcing tab: Copper alloy, copper-undercoated, tin-plated (reflow treatment)

RoHS compliance This product displays (LF)(SN) on a label.

Receptacle



Circuits	Model No.		Dimensions (mm)			Q'ty / box
	With bosses	Without bosses	A	B	C	
30	30RS-JXVK-G-B	30RS-JXVK-G	18.415	29.0	21.7	833
50	50RS-JXVK-G-B	—	31.115	41.7	34.4	595

Material and Finish

Contact: Copper alloy, nickel-undercoated, gold-plated
 Housing: Heat resisting resin, UL94V-0, black
 Reinforcing tab: Copper alloy, copper-undercoated, tin-plated (reflow treatment)

RoHS compliance This product displays (LF)(SN) on a label.