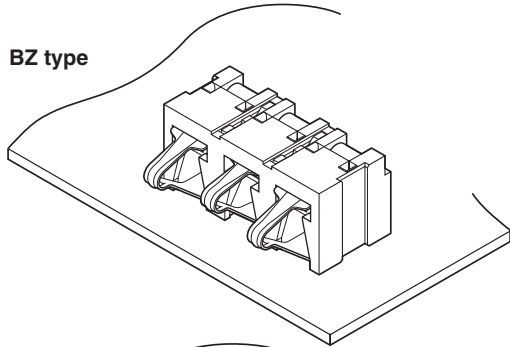


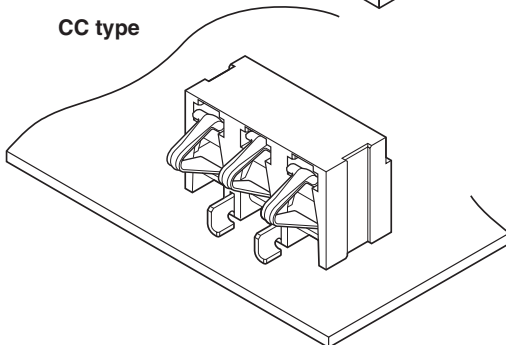
# BTT CONNECTOR



BZ type



CC type



- Connector for 3-circuit battery
- Long stroke
- For halogen-free and beryllium-free

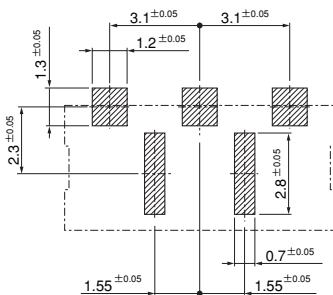
Connector for batteries used in the compact mobile equipment such as mobile phones. The battery can be set with Off set 0mm (only BZ type). This is low profile type connector corresponding to thinner mobile phones.

## Specifications

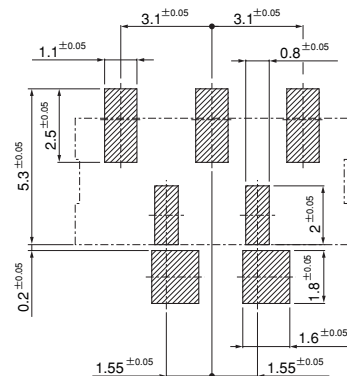
- Current rating: 2 A AC, DC
- Voltage rating: 20 V AC, DC
- Temperature range: -30°C to +85°C  
(including temperature rise in applying electrical current)
- Contact resistance: Initial value/ 40 mΩ max.  
After environmental tests/ 80 mΩ max.  
(variation from initial value)
- Insulation resistance: 1,000 MΩ min.
- Withstanding voltage: 500 VAC/minute

- \* Refer to "General Instruction and Notice when using Terminals and Connectors" at the end of this catalog.
- \* Contact JST for details.
- \* Compliant with RoHS.

<BZ type>

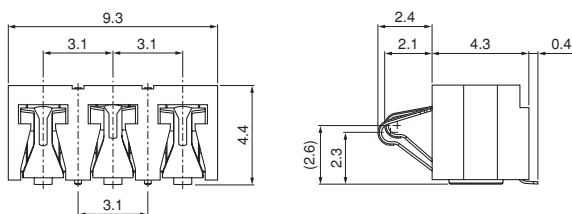


<CC type>

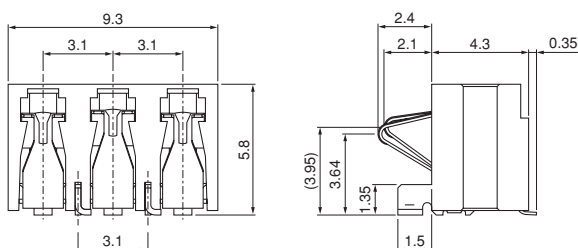


## Connector

<BZ type>



<CC type>



Type	Circuits	Model No.	Q'ty / reel
BZ type	3	<b>BTT-BZ3S-00-TB(HF)</b>	1,500
CC type		<b>BTT-CC3S-00-TB(HF)</b>	1,100

### Material and Finish

- Contact: Copper alloy, nickel-undercoated, gold-plated
- Mating part: nickel-palladium gold-plated
- Solder tail: gold-plated
- Housing: Glass-filled LCP, UL94V-0, black
- Reinforcing tab: Copper alloy, copper-undercoated, pure tin-plated (reflow treatment)

### RoHS compliance

This products listed above are supplied on embossed-tape.